

## UHF Radar Transistor

The high power pulsed radar transistor device part number IB450S500 is designed for UHF radar systems operating at 450 MHz. While operating in class C mode this common base device supplies a minimum of 500 watts of peak pulse power under the conditions of 30 $\mu$ s pulse width and 10% duty cycle. All devices are 100% screened for large signal RF parameters. Excellent spectral stability into output mismatch over a broad input power range make it ideal for use in reliable high power solid state transmitters.



### Silicon Bipolar

- Ultra-high  $f_T$

### Class C Operation

- High Efficiency

### Common Base Configuration

- Single Power Supply

### Gold Metal

- Maximum Reliability

### Emitter Ballasting

- Optimum Thermal Distribution

### Internal Impedance Matching

- Ease of Use
- Ultra-low Loss Design

### BeO Package

- Unmatched Thermal Reliability

### RF Test Fixture

- Broadband
- Matched to 50 $\Omega$
- Long-term Correlation
- 100% Device RF Screening
- No External Tuning Allowed
- Micro-strip structure on soft pc board with dielectric constant 10.2

### TYPICAL DATA

### TYPICAL DATA

### TYPICAL DATA

### TYPICAL DATA

Device	Freq (MHz)	V <sub>CC</sub> (V)	P <sub>IN</sub> (W)	IRL (dB)	P <sub>OUT</sub> (W)	G <sub>P</sub> (dB)	I <sub>C</sub> (A)	$\eta_c$ (%)
	435	40	66.5	-17	500	8.8	20.7	60
	450	40	52.7	-21	500	9.8	18.3	68
	465	40	66.5	-11	500	8.8	21.0	60

Pulse Format = 30 $\mu$ s/10%

**MAXIMUM RATINGS**

Screen	Parameter	Symbol	Min	Max	Units	Test Conditions
BD	Collector-Emitter Voltage	$V_{CES}$	--	80	V	$V_{BE}=0V$ .
BD	Emitter-Base Voltage	$V_{EBO}$	--	3.5	V	--
BD	Storage Temperature Range	$T_{STG}$	-55	+150	°C	--
BD	Operating Junction Temperature Range	$T_J$	-55	+200	°C	--
Note	Screen 'BD' = parameter qualified By Design.					

**THERMAL CHARACTERISTICS**

Screen	Parameter	Symbol	Min	Max	Units	Test Conditions
BD	Thermal Resistance	$R_{TH(JC)}$	--	0.20	°C/W	$V_{CC}=V1$ , $PW=PW1$ , $DF=DF1$ , $T_F=25\pm5^\circ C$ , $P_{OUT}=500W$ , $F=F1$ .
Note	Screen 'BD' = parameter qualified By Design.					

**PROCESSING SPECIFICATIONS**

Screen	Parameter	Symbol	Min	Max	Units	Test Conditions
100%	DC Wafer Probe	--	--	--	--	Per Integra specification.
Q1	Wafer DC and RF Qualification	--	--	--	--	Per Integra specification.
LM	Wire Bond Strength	--	--	--	--	Line monitor per Integra specification.
100%	Pre-cap visual inspection	--	--	--	--	Per Integra specification.
100%	Gross leak test	--	--	--	--	MIL-STD-750D, Method 1071.6, Test Condition C.
Note	Screen 'Q1' = parameter is qualified by assembly and test of 3 pieces minimum per wafer.					
Note	Screen 'LM' = parameter is qualified by assembly line monitor.					

**DC ELECTRICAL CHARACTERISTICS**

Screen	Parameter	Symbol	Min	Max	Units	Test Conditions
100%	Collector-Emitter Breakdown Voltage	$BV_{CES}$	80	--	Vdc	$I_C=50mA$ , $V_{BE}=0V$ , $T_F=25\pm5^\circ C$ .
100%	Zero Base Voltage Collector Leakage Current	$I_{CES}$	--	10	MA	$V_{CE}=40V$ , $V_{BE}=0V$ , $T_F=25\pm5^\circ C$ .
100%	DC Current Gain	$H_{FE}$	10	150	--	$V_{CE}=5V$ , $I_C=0.5A$ , $T_F=25\pm5^\circ C$ .

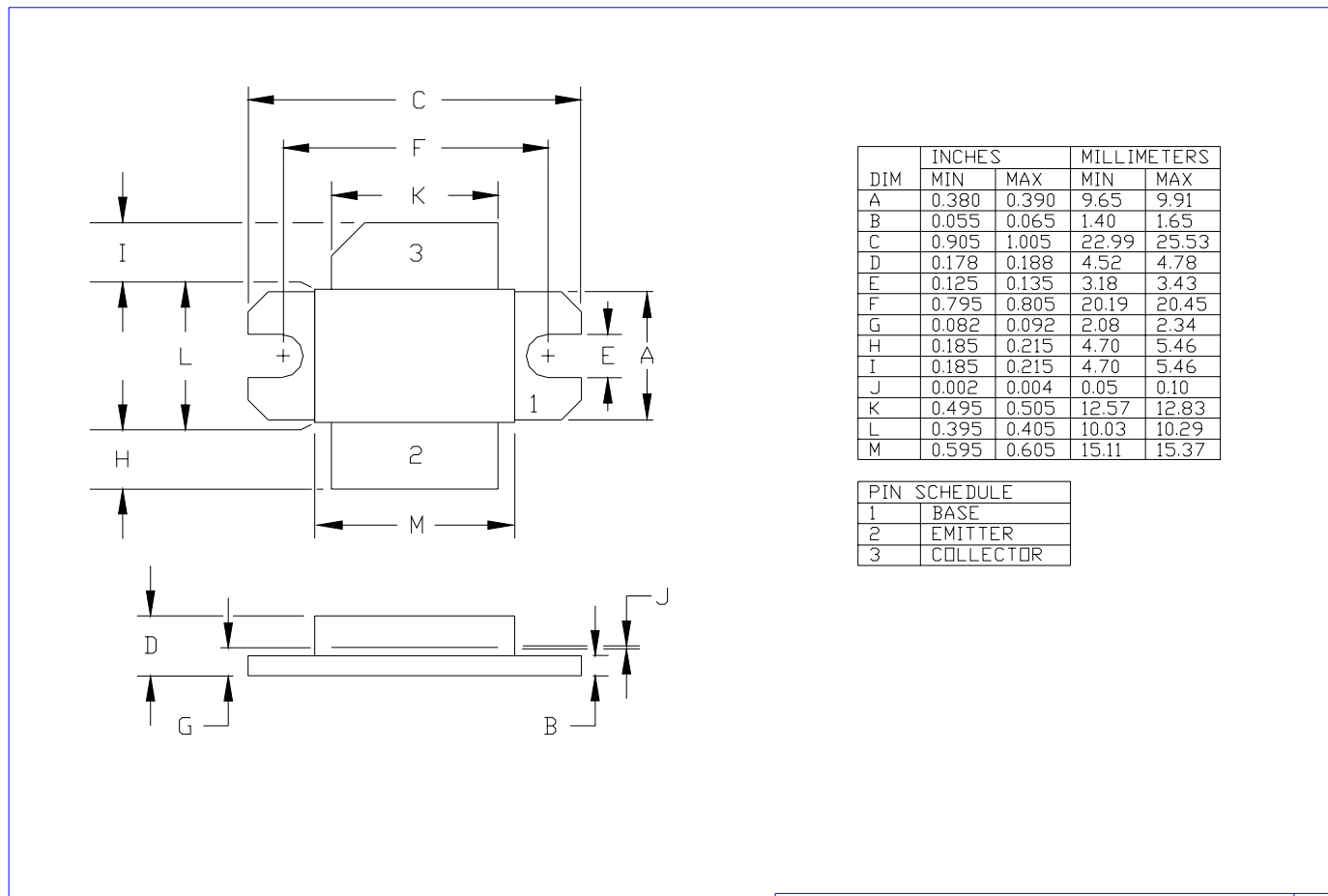
**RF ELECTRICAL CHARACTERISTICS**

Screen	Parameter	Symbol	Min	Max	Units	Test Conditions
100%	Input Return Loss	IRL	10	--	dB	$V_{CC}=V1, PW=PW1, DF=DF1, T_F=25\pm5^\circ C, P_{OUT}=P_{OUT1}, F=F1.$
100%	Input Power	$P_{IN}$	--	70.6	W	$V_{CC}=V1, PW=PW1, DF=DF1, T_F=25\pm5^\circ C, P_{OUT}=P_{OUT1}, F=F1.$
100%	Power Gain	$G_P$	8.5	--	dB	$V_{CC}=V1, PW=PW1, DF=DF1, T_F=25\pm5^\circ C, P_{OUT}=P_{OUT1}, F=F1.$
100%	Collector Efficiency ( $P_o/I_c/V_{CC}$ )	$N_C$	45	--	%	$V_{CC}=V1, PW=PW1, DF=DF1, T_F=25\pm5^\circ C, P_{OUT}=P_{OUT1}, F=F1.$
100%	Pulse Amplitude Droop	D	--	0.5	dB	$V_{CC}=V1, PW=PW1, DF=DF1, T_F=25\pm5^\circ C, P_{OUT}=P_{OUT1}, F=F1.$
100%	Stability into 1.5:1 VSWR	VSWR-S	--	--	--	$V_{CC}=V1, PW=PW1, DF=DF1, T_F=25\pm5^\circ C, P_{OUT}=P_{OUT1}, F=F1.$ Rotate 1.5:1 output VSWR through 360° phase. No oscillatory or pulse break-up characteristics allowed on detected output pulse. All non-harmonically related signals must be at least -65 dBc.
100%	3:1 Load Mismatch Tolerance	LMT	--	--	--	$V_{CC}=V1, PW=PW1, DF=DF1, T_F=25\pm5^\circ C, P_{OUT}=P_{OUT1}, F=F1.$ Rotate 3:1 output VSWR through 360° phase. Post-test $P_{OUT} = \text{Pre-test } P_{OUT} \pm 10W.$
BD	Pulse Risetime	RT	--	150	ns	$V_{CC}=V1, PW=PW1, DF=DF1, T_F=25\pm5^\circ C, P_{OUT}=P_{OUT1}, F=F1.$ Measure between 10% and 90% detected power points.
Note	$V1 = 40V; PW1 = 30\mu s; DF1 = 10\%; P_{OUT1} = 500W; F1 = 450 \text{ MHz}.$					
Note	$T_F = \text{Device flange temperature}.$					
Note	Screen 'BD' = parameter qualified By Design.					

**RF TEST FIXTURE IMPEDANCE CHARACTERISTICS**

Frequency (MHz)	$Z_{IF} (\Omega)$	$Z_{OF} (\Omega)$
450	$0.96 -j0.42$	$1.55 -j0.47$
Impedance Definition		

**PACKAGE DIMENSIONAL OUTLINE DRAWING**



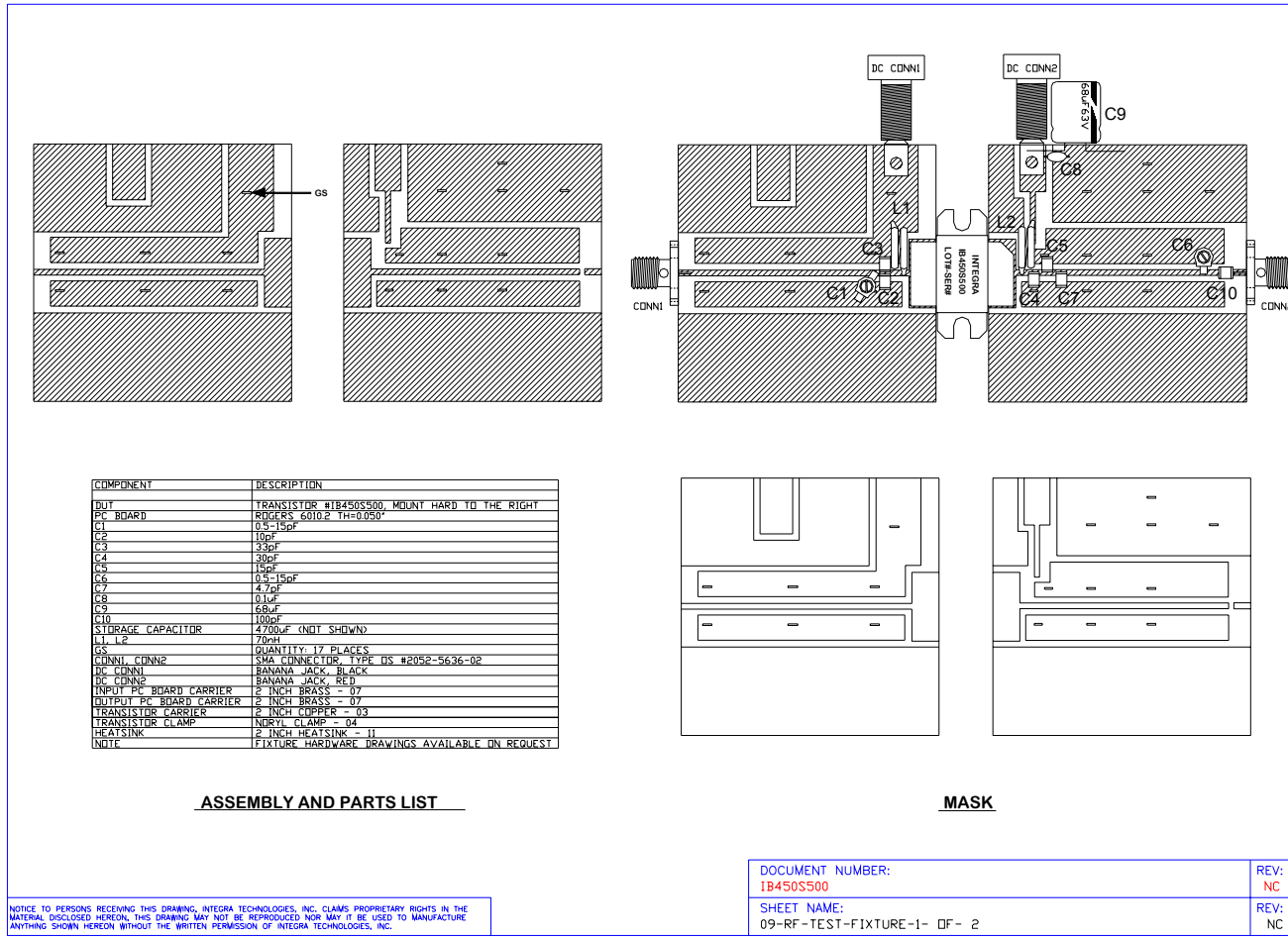
DIM	INCHES		MILLIMETERS	
	MIN	MAX	MIN	MAX
A	0.380	0.390	9.65	9.91
B	0.055	0.065	1.40	1.65
C	0.905	1.005	22.99	25.53
D	0.178	0.188	4.52	4.78
E	0.125	0.135	3.18	3.43
F	0.795	0.805	20.19	20.45
G	0.082	0.092	2.08	2.34
H	0.185	0.215	4.70	5.46
I	0.185	0.215	4.70	5.46
J	0.002	0.004	0.05	0.10
K	0.495	0.505	12.57	12.83
L	0.395	0.405	10.03	10.29
M	0.595	0.605	15.11	15.37

PIN SCHEDULE	
1	BASE
2	EMITTER
3	COLLECTOR

NOTICE TO PERSONS RECEIVING THIS DRAWING, INTEGRATECH TECHNOLOGIES, INC. CLAIMS PROPRIETARY RIGHTS IN THE MATERIAL DISCLOSED HEREON. THIS DRAWING MAY NOT BE REPRODUCED NOR MAY IT BE USED TO MANUFACTURE ANYTHING SHOWN HEREON WITHOUT THE WRITTEN PERMISSION OF INTEGRATECH TECHNOLOGIES, INC.

DOCUMENT NUMBER: IB450S500	REV: NC
SHEET NAME: 06-OUTLINE	REV: NC

**RF TEST FIXTURE**



ASSEMBLY AND PARTS LIST

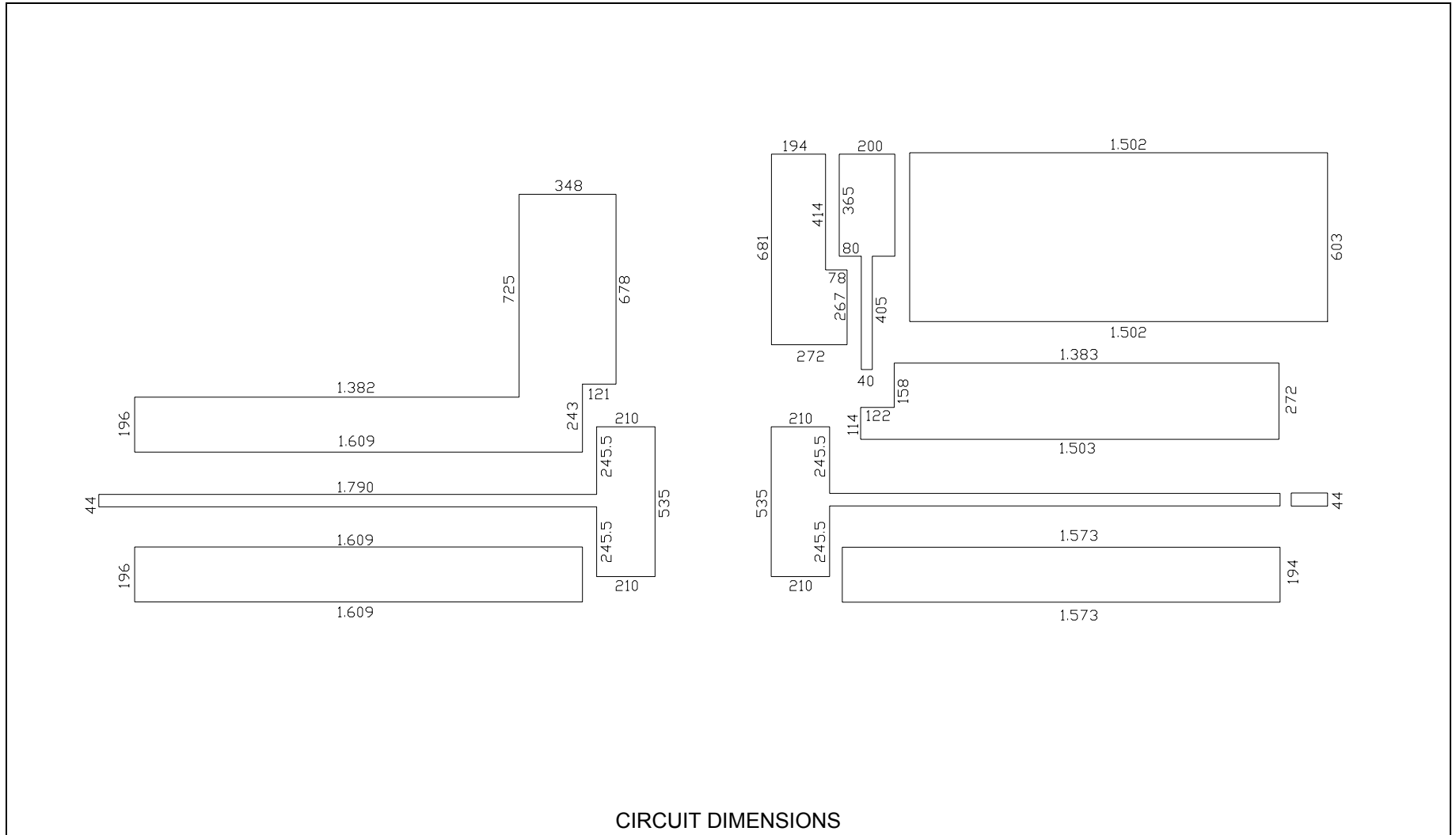
MASK

DOCUMENT NUMBER: <b>IB450S500</b>	REV: NC
SHEET NAME: 09-RF-TEST-FIXTURE-1- OF - 2	REV: NC

NOTICE TO PERSONS RECEIVING THIS DRAWING: INTEGRA TECHNOLOGIES, INC. CLAIMS PROPRIETARY RIGHTS IN THE MATERIAL DISCLOSED HEREON. THIS DRAWING MAY NOT BE REPRODUCED NOR MAY IT BE USED TO MANUFACTURE ANYTHING SHOWN HEREON WITHOUT THE WRITTEN PERMISSION OF INTEGRA TECHNOLOGIES, INC.

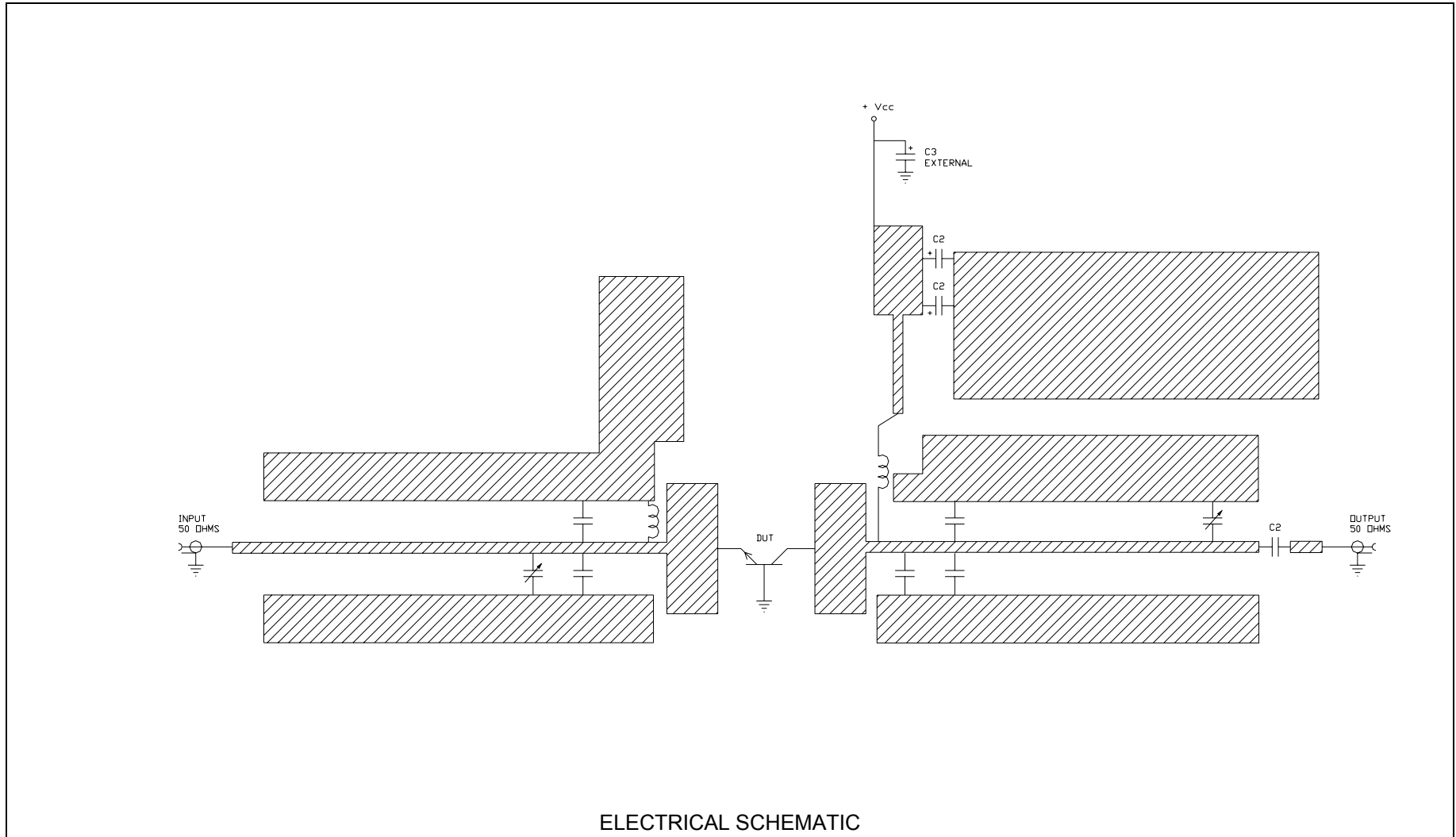
**ASSEMBLY AND PARTS LIST**

**RF TEST FIXTURE**



**CIRCUIT DIMENSIONS**

**RF TEST FIXTURE**



ELECTRICAL SCHEMATIC

**DEFINITIONS**

<b>Data Sheet Status</b>	
Proposed Specification	This data sheet contains proposed specifications.
Preliminary Specification	This data sheet contains specifications based on preliminary measurements and data.
Product Specification	This data sheet contains final product specifications.
<b>Maximum Ratings</b>	
Stress above one or more of the maximum ratings may cause permanent damage to the device. These are maximum ratings only. Operation of the device at these or at any other conditions above those given in the characteristics sections of the specification is not implied. Exposure to maximum values for extended periods of time may affect device reliability.	

**WARNING**

<b>Product and environmental safety - toxic materials</b>
This product contains beryllium oxide. The product is entirely safe provided that the BeO base is not damaged. All persons who handle, use or dispose of this product should be aware of its nature and of the necessary safety precautions. After use, dispose of as chemical or special waste according to the regulations applying at the location of the user. It must never be thrown out with general or domestic waste.

**DISCLAIMER**

Integra Technologies Inc. reserves the right to make changes without further notice to any products herein. Integra Technologies Inc. makes no warranty, representation or guarantee regarding the suitability of its products for any particular purpose, nor does Integra Technologies Inc. assume any liability arising out of the application or use of any product or circuit, and specifically disclaims any and all liability, including without limitation consequential or incidental damages. Integra Technologies Inc. products are not designed for use in life support appliances, devices, or systems where malfunction of these products can reasonably be expected to result in personal injury. Integra Technologies Inc. customers using or selling these products for use in such applications do so at their own risk and agree to fully indemnify Integra Technologies Inc. for any damages resulting from such improper use or sale.
--