

## Pulsed Medical Transistor

The high power pulsed transistor part number IB2856S30 is designed to operate in class C mode. This common base device supplies a minimum of 30 watts of peak pulse power under the conditions of 12 $\mu$ s pulse width and 3% duty cycle. All devices are 100% screened for large signal RF parameters. Excellent spectral stability into output mismatch over a broad input power range make it ideal for use in reliable high power solid state amplifiers. Designed to be used as a driver device for IB2856S250 or as a stand-alone device. This device is rated for a peak output power level of  $P_{PEAK} = 30W$  @ 3% duty factor. This corresponds to an average power  $P_{AVG} = 0.9W$ .



### Silicon Bipolar

- Ultra-high  $f_T$

### Class C Operation

- High Efficiency

### Common Base Configuration

- Single Power Supply

### Gold Metal

- Maximum Reliability

### Emitter Ballasting

- Optimum Thermal Distribution

### Internal Impedance Matching

- Ease of Use
- Ultra-low Loss Design

### BeO Package

- Unmatched Thermal Reliability

### RF Test Fixture

- Matched to 50 $\Omega$
- Long-term Correlation
- 100% Device RF Screening
- No External Tuning Allowed
- Micro-strip structure on soft pc board with dielectric constant 10.5

### TYPICAL DATA

### TYPICAL DATA

### TYPICAL DATA

### TYPICAL DATA

Device	Freq (MHz)	V <sub>CC</sub> (V)	P <sub>IN</sub> (W)	IRL (dB)	P <sub>OUT</sub> (W)	G <sub>P</sub> (dB)	I <sub>c</sub> (A)	N <sub>c</sub> (%)	Droop (dB)
D3111-8	2856	40	4.0	-17	39	9.89	1.93	50	0.0

Power measurements made using Boonton 4500 Peak Power Analyzer

**MAXIMUM RATINGS**

Screen	Parameter	Symbol	Min	Max	Units	Test Conditions
BD	Collector-Emitter Voltage	$V_{CES}$			V	--
BD	Emitter-Base Voltage	$V_{EBO}$			V	--
BD	Storage Temperature Range	$T_{STG}$			°C	--
BD	Operating Junction Temperature Range	$T_J$			°C	--
BD	CW Operation	--	--	--	--	Not rated for CW operation.
Note	Screen 'BD' = parameter qualified By Design.					

**THERMAL CHARACTERISTICS**

Screen	Parameter	Symbol	Min	Max	Units	Test Conditions
BD	Thermal Resistance	$R_{TH(JC)}$		0.4	°C/W	$V_{CC}=V1, PW=PW1, DF=DF1, T_F=25\pm5^\circ C, P_{OUT}=30W, F=F1.$
Note	Screen 'BD' = parameter qualified By Design.					

**PROCESSING SPECIFICATIONS**

Screen	Parameter	Symbol	Min	Max	Units	Test Conditions
100%	DC Wafer Probe	--	--	--	--	Per Integra specification.
Q1	Wafer DC and RF Qualification	--	--	--	--	Per Integra specification.
LM	Wire Bond Strength	--	--	--	--	Line monitor per Integra specification.
100%	Pre-cap visual inspection	--	--	--	--	Per Integra specification
100%	Gross leak test	--	--	--	--	MIL-STD-750D, Method 1071, Test Condition C
Note	Screen 'Q1' = parameter is qualified by assembly and test of 3 pieces minimum per wafer.					
Note	Screen 'LM' = parameter is qualified by assembly line monitor.					

**DC ELECTRICAL CHARACTERISTICS**

Screen	Parameter	Symbol	Min	Max	Units	Test Conditions
100%	Collector-Emitter Breakdown Voltage	$BV_{CES}$	70	--	V	$I_C=10mA, V_{BE}=0V, T_F=25\pm5^\circ C.$
100%	Zero Base Voltage Collector Leakage Current	$I_{CES}$	--	1.5	mA	$V_{CE}=30V, V_{BE}=0V, T_F=25\pm5^\circ C.$
100%	DC Current Gain	$H_{FE}$	10	150	--	$V_{CE}=5V, I_C=0.1A, T_F=25\pm5^\circ C.$

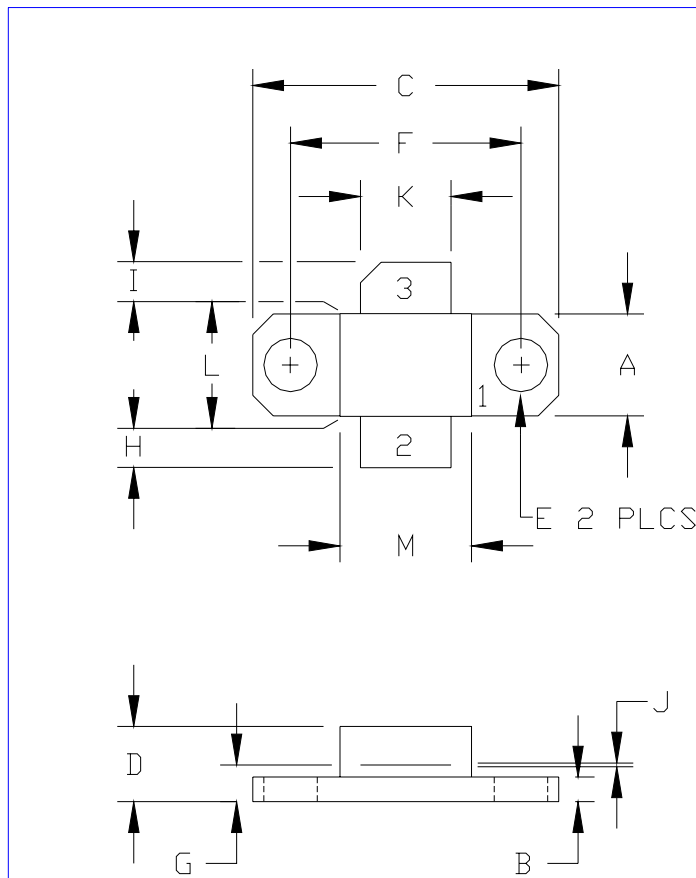
**RF ELECTRICAL CHARACTERISTICS**

Screen	Parameter	Symbol	Min	Max	Units	Test Conditions
100%	Input Return Loss	IRL	10	--	dB	$V_{CC}=V1, PW=PW1, DF=DF1, T_F=25\pm5^\circ C, P_{IN}=P_{IN1}, F=F1.$
100%	Maximum Overdrive	$P_{IN(MAX)}$				
100%	Power Gain	G				
100%	Output Power	$P_{OUT}$	30	--	W	$V_{CC}=V1, PW=PW1, DF=DF1, T_F=25\pm5^\circ C, P_{IN}=P_{IN1}, F=F1.$
100%	Collector Efficiency ( $P_o/I_c/V_{CC}$ )	$N_C$	42	--	%	$V_{CC}=V1, PW=PW1, DF=DF1, T_F=25\pm5^\circ C, P_{IN}=P_{IN1}, F=F1.$
100%	Pulse Amplitude Droop	D	--	0.3	dB	$V_{CC}=V1, PW=PW1, DF=DF1, T_F=25\pm5^\circ C, P_{IN}=P_{IN1}, F=F1.$
100%	Stability into 1.5:1 VSWR	VSWR-S	--	--	--	$V_{CC}=V1, PW=PW1, DF=DF1, T_F=25\pm5^\circ C, P_{IN}=P_{IN1}, F=F1.$ Rotate 1.5:1 output VSWR through 360° phase. No oscillatory or pulse break-up characteristics allowed on detected output pulse. All non-harmonically related signals must be at least -65 dBc.
100%	Load Mismatch Tolerance	LMT	--	--	--	$V_{CC}=V1, PW=PW1, DF=DF1, T_F=25\pm5^\circ C, P_{IN}=P_{IN1}, F=F1.$ Rotate 3:1 output VSWR through 360° phase. Post-test $P_{OUT} = \text{Pre-test } P_{OUT} \pm 1W.$
BD	Pulse Risetime	RT	--	100	ns	$V_{CC}=V1, PW=PW1, DF=DF1, T_F=25\pm5^\circ C, P_{IN}=P_{IN1}, F=F1.$ Measure between 10% and 90% detected power points.
Note 1	V1=40V; PW1=12µs; DF1=3%; F1 = 2.856 GHz, $P_{IN1}=4.0W.$					
Note 2	$T_F$ = Device flange temperature.					
Note 3	Screen 'BD' = parameter qualified By Design.					

**RF TEST FIXTURE IMPEDANCE CHARACTERISTICS**

Frequency (MHz)	$Z_{IF} (\Omega)$	$Z_{OF} (\Omega)$
2.856	$7.1 + j0.4$	$9.1 - j5.4$
Impedance Definition		

**PACKAGE DIMENSIONAL OUTLINE DRAWING**



DIM	INCHES		MILLIMETERS	
	MIN	MAX	MIN	MAX
A	0.243	0.253	6.17	6.43
B	0.055	0.065	1.40	1.65
C	0.739	0.749	18.77	19.02
D	0.165	0.185	4.19	4.70
E	0.125	0.135	3.18	3.43
F	0.555	0.565	14.10	14.35
G	0.082	0.092	2.08	2.34
H	0.070	0.125	1.78	3.18
I	0.070	0.125	1.78	3.18
J	0.004	0.006	0.10	0.15
K	0.215	0.225	5.46	5.72
L	0.245	0.255	6.22	6.48
M	0.315	0.325	8.00	8.26

PIN SCHEDULE	
1	BASE
2	EMITTER
3	COLLECTOR

NOTICE TO PERSONS RECEIVING THIS DRAWING, INTEGRA TECHNOLOGIES, INC. CLAIMS PROPRIETARY RIGHTS IN THE MATERIAL DISCLOSED HEREON. THIS DRAWING MAY NOT BE REPRODUCED NOR MAY IT BE USED TO MANUFACTURE ANYTHING SHOWN HEREON WITHOUT THE WRITTEN PERMISSION OF INTEGRA TECHNOLOGIES, INC.

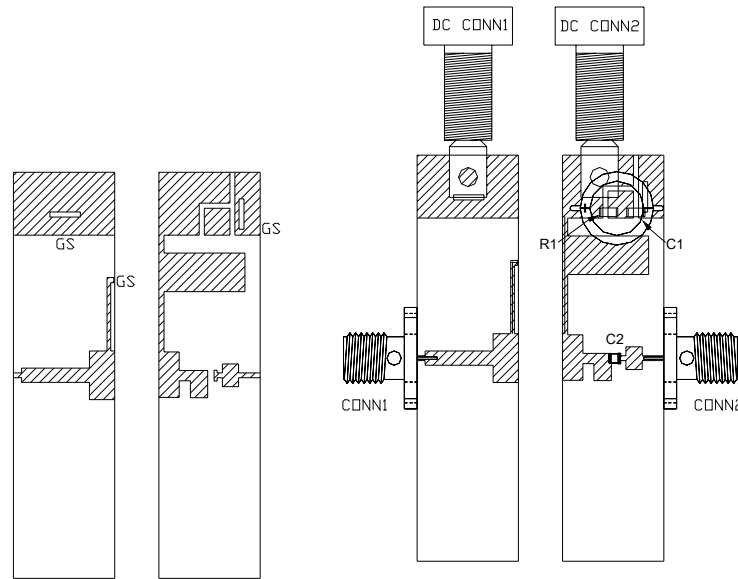
DOCUMENT NUMBER:  
IB2856S30

REV:  
NC

SHEET NAME:  
06-OUTLINE

REV:  
NC

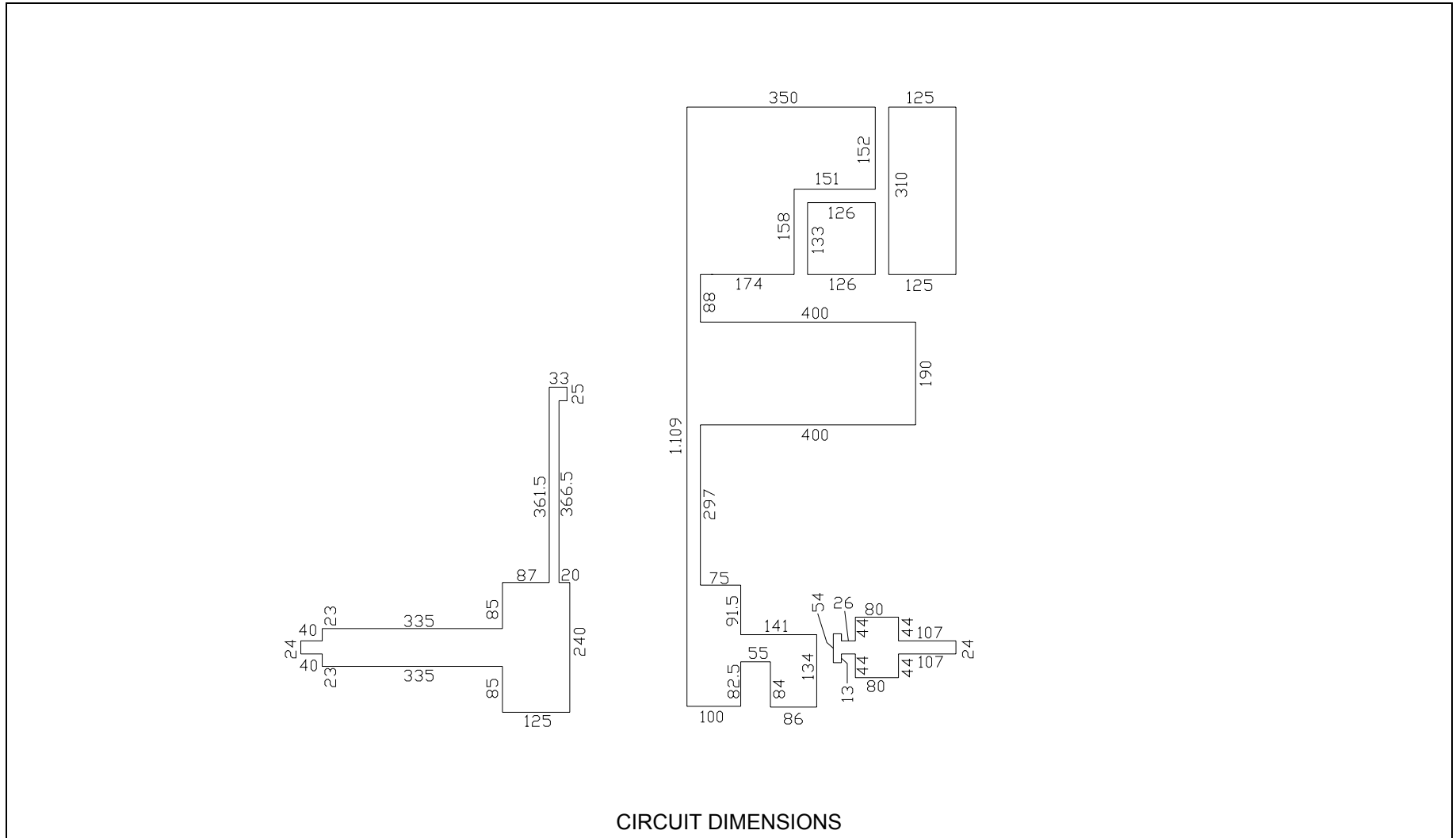
**RF TEST FIXTURE**



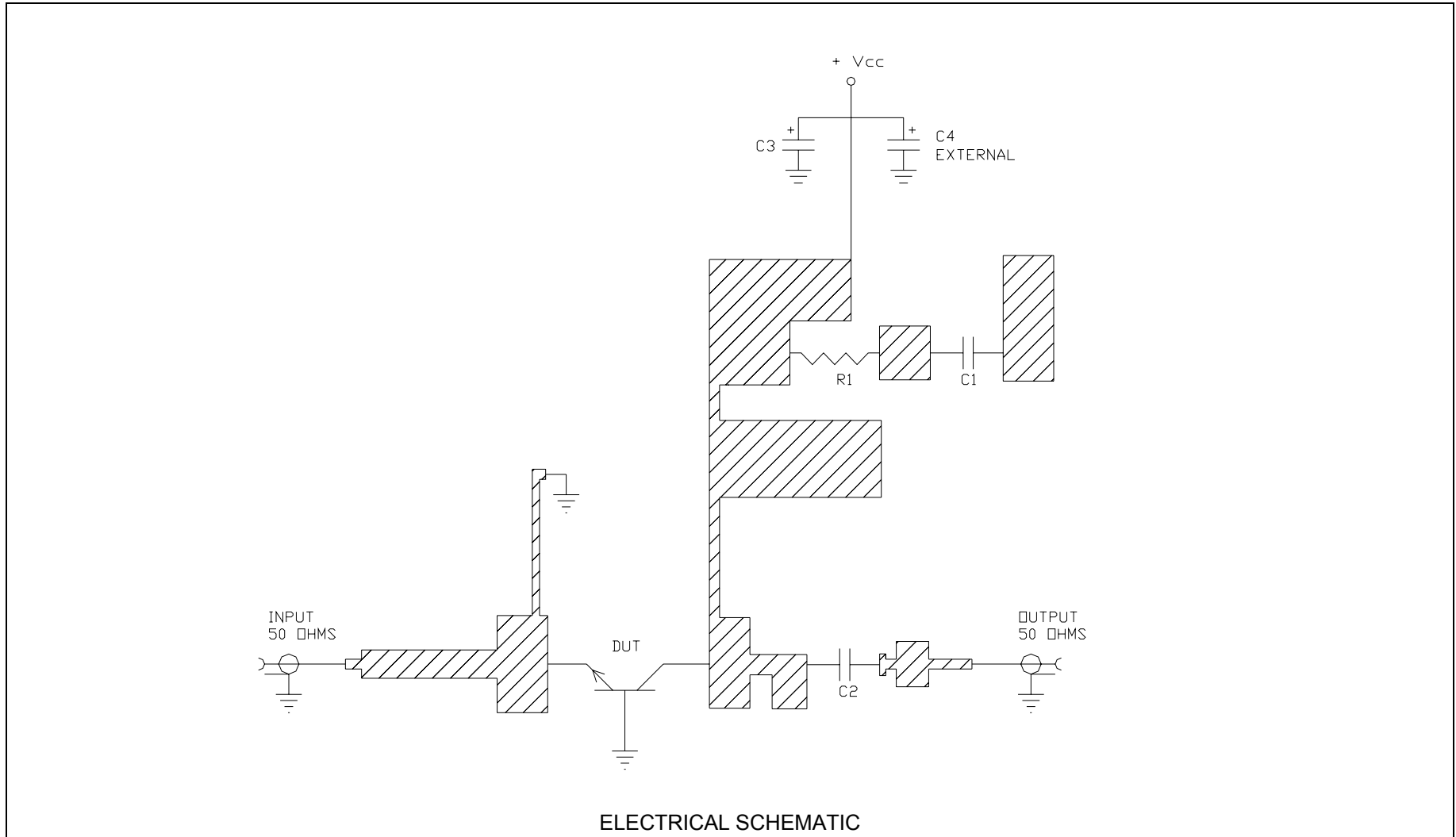
COMPONENT	DESCRIPTION
DUT	TRANSISTOR IB2856S30, MOUNT HARD TO THE RIGHT
PC BOARD	ROGERS 6010.2LM 0.025" 1E/1E
INPUT PC BOARD CARRIER	2 INCH BRASS -01 (0.50")
OUTPUT PC BOARD CARRIER	2 INCH BRASS -01 (0.50")
TRANSISTOR CARRIER	2 INCH COPPER -01
TRANSISTOR CLAMP	NORYL CLAMP -01
HEATSINK	2 INCH HEATSINK -09
CONN1, CONN2	SMA CONNECTOR, TYPE QS #2052-5636-02
C1	SNUB CAPACITOR .1uF
C2	CHIP CAPACITOR, TYPE ATC100A, 39pF
C3	ELECTROLYTIC CAPACITOR, 68uF / 63V
C4 - NOT SHOWN	ELECTROLYTIC CAPACITOR, 4700uF / 50V
R1	SNUB RESISTOR 6.81 OHM
DC CONN1	BANANA JACK, BLACK
DC CONN2	BANANA JACK, RED
GS	GROUND SHIM, COPPER, TH=0.001"
BLW	BIAS LINE WIRE -COPPER- 0.022" DIA TYPICAL
NOTE	FIXTURE HARDWARE DRAWINGS AVAILABLE ON REQUEST

**ASSEMBLY AND PARTS LIST**

**RF TEST FIXTURE**



**RF TEST FIXTURE**



**DEFINITIONS**

<b>Data Sheet Status</b>	
Proposed Specification	This data sheet contains proposed specifications.
Preliminary Specification	This data sheet contains specifications based on preliminary measurements and data.
Product Specification	This data sheet contains final product specifications.
<b>Maximum Ratings</b>	
Stress above one or more of the maximum ratings may cause permanent damage to the device. These are maximum ratings only. Operation of the device at these or at any other conditions above those given in the characteristics sections of the specification is not implied. Exposure to maximum values for extended periods of time may affect device reliability.	

**WARNING**

<b>Product and environmental safety - toxic materials</b>
This product contains beryllium oxide. The product is entirely safe provided that the BeO base is not damaged. All persons who handle, use or dispose of this product should be aware of its nature and of the necessary safety precautions. After use, dispose of as chemical or special waste according to the regulations applying at the location of the user. It must never be thrown out with general or domestic waste.

**DISCLAIMER**

Integra Technologies Inc. reserves the right to make changes without further notice to any products herein. Integra Technologies Inc. makes no warranty, representation or guarantee regarding the suitability of its products for any particular purpose, nor does Integra Technologies Inc. assume any liability arising out of the application or use of any product or circuit, and specifically disclaims any and all liability, including without limitation consequential or incidental damages. Integra Technologies Inc. products are not designed for use in life support appliances, devices, or systems where malfunction of these products can reasonably be expected to result in personal injury. Integra Technologies Inc. customers using or selling these products for use in such applications do so at their own risk and agree to fully indemnify Integra Technologies Inc. for any damages resulting from such improper use or sale.
--