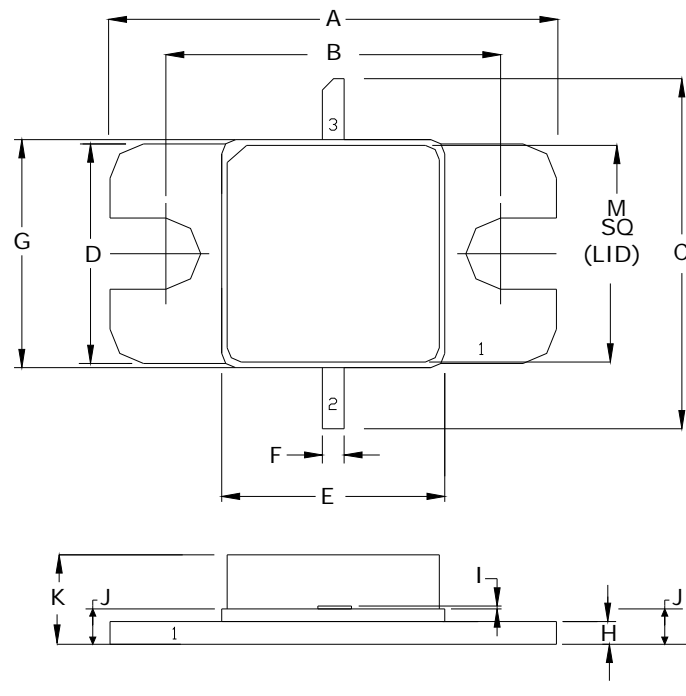


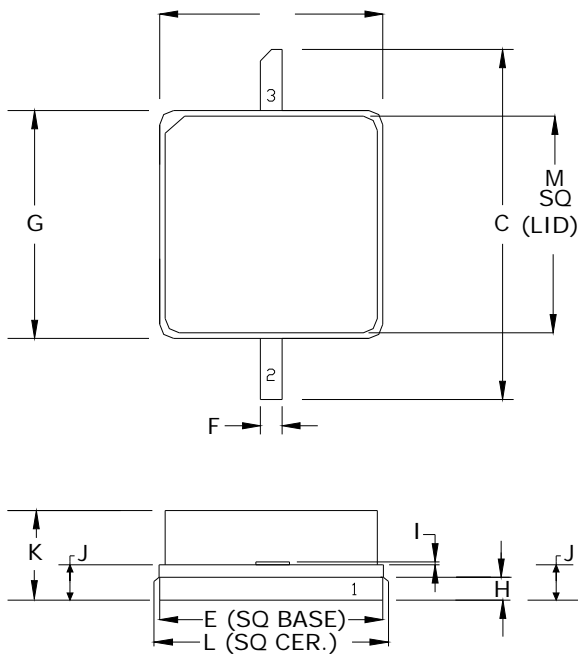
PACKAGE OUTLINE DRAWING



BOLT DOWN VERSION

DIM	INCHES		MILLIMETERS	
	MIN	MAX	MIN	MAX
A	0.795	0.805	20.19	20.45
B	0.595	0.605	15.11	15.37
C	0.584	0.644	14.83	16.36
D	0.380	0.390	9.65	9.91
E	0.395	0.405	10.03	10.29
F	0.034	0.044	0.86	1.12
G	0.395	0.405	10.03	10.29
H	0.035	0.045	0.89	1.14
I	0.004	0.006	0.10	0.15
J	0.057	0.067	1.45	1.70
K	0.131	0.181	3.33	4.60
L	0.395	0.405	10.03	10.29
M	0.376	0.384	9.55	9.75

PIN SCHEDULE	
1	SOURCE
2	GATE
3	DRAIN



'S' VERSION

DIM	INCHES		MILLIMETERS	
	MIN	MAX	MIN	MAX
A	0.395	0.405	10.03	10.29
C	0.584	0.644	14.83	16.36
E	0.393	0.403	9.98	10.24
F	0.034	0.044	0.86	1.12
G	0.395	0.405	10.03	10.29
H	0.035	0.045	0.89	1.14
I	0.004	0.006	0.10	0.15
J	0.057	0.067	1.45	1.70
K	0.131	0.181	3.33	4.60
L	0.395	0.405	10.03	10.29
M	0.376	0.384	9.55	9.75

PIN SCHEDULE	
1	SOURCE
2	GATE
3	DRAIN